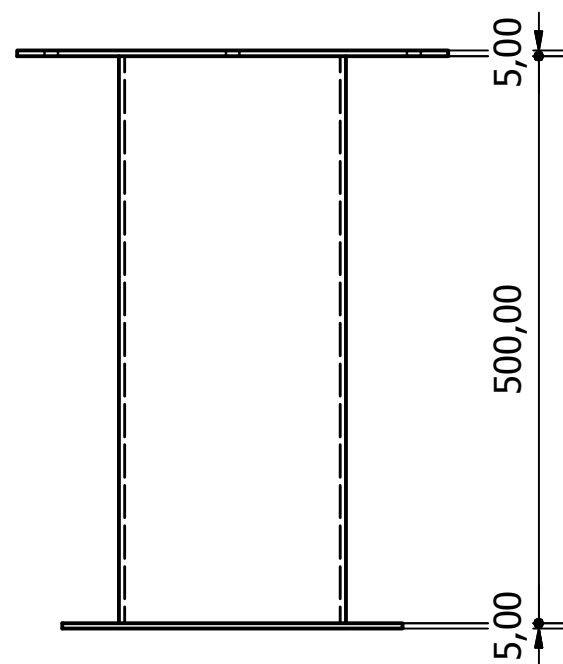
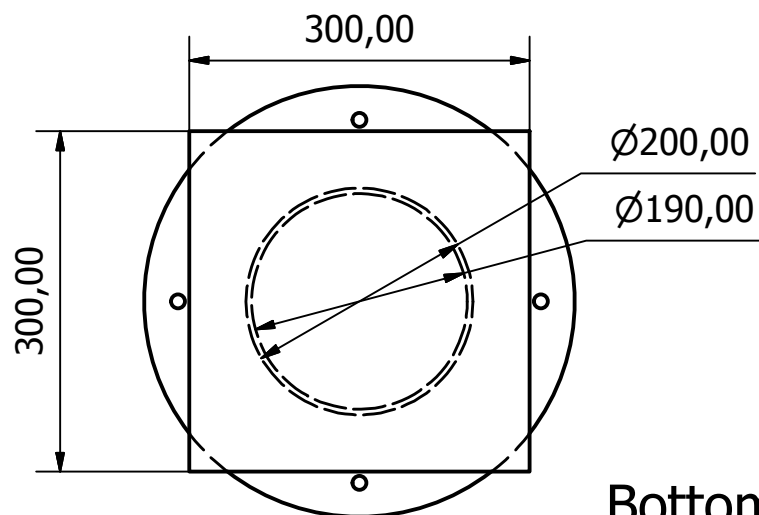


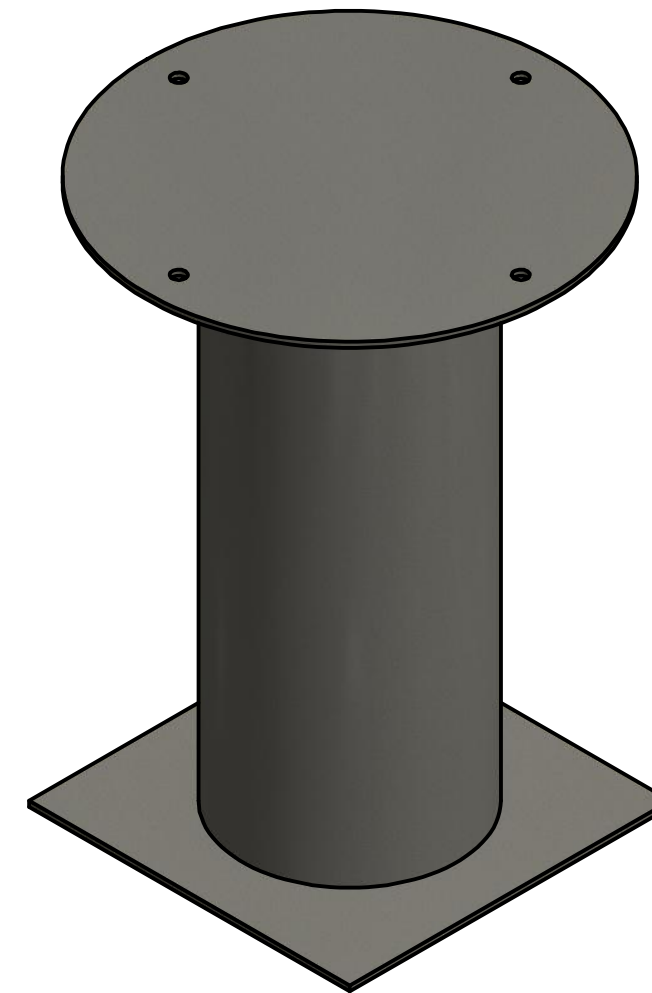
Plan



Elevation ( 0.15 : 1 )



Bottom Plan



Isometric ( 0.2 : 1 )

Recommended Pedestal Support Material : Steel

Designed by Jack Wells	Checked by	Approved by	Date	Date 12/12/2014	
ScotSat Ltd.			ScotSat Hydra Mounting		
			Hydra Pedestal Support	Edition	Sheet 8 / 8